

DETAIL C  
SCALE 2.2

MATERIAL: 6061 ALUMINUM ALUMINUM JIG PLATE

DIA. = in mm

THICKNESS = 1/4" 3/8" 1/2" 3/4" 1"

THREAD = 1/4-20 M6x1 OTHER

HOLE SPACING = 1" 25mm OTHER

FINISH: BRUSHED CLEAR ANODIZE BLACK ANODIZE


NOTES:

[CLICK HERE TO SEND  
TO GET A QUOTE FAST](#)

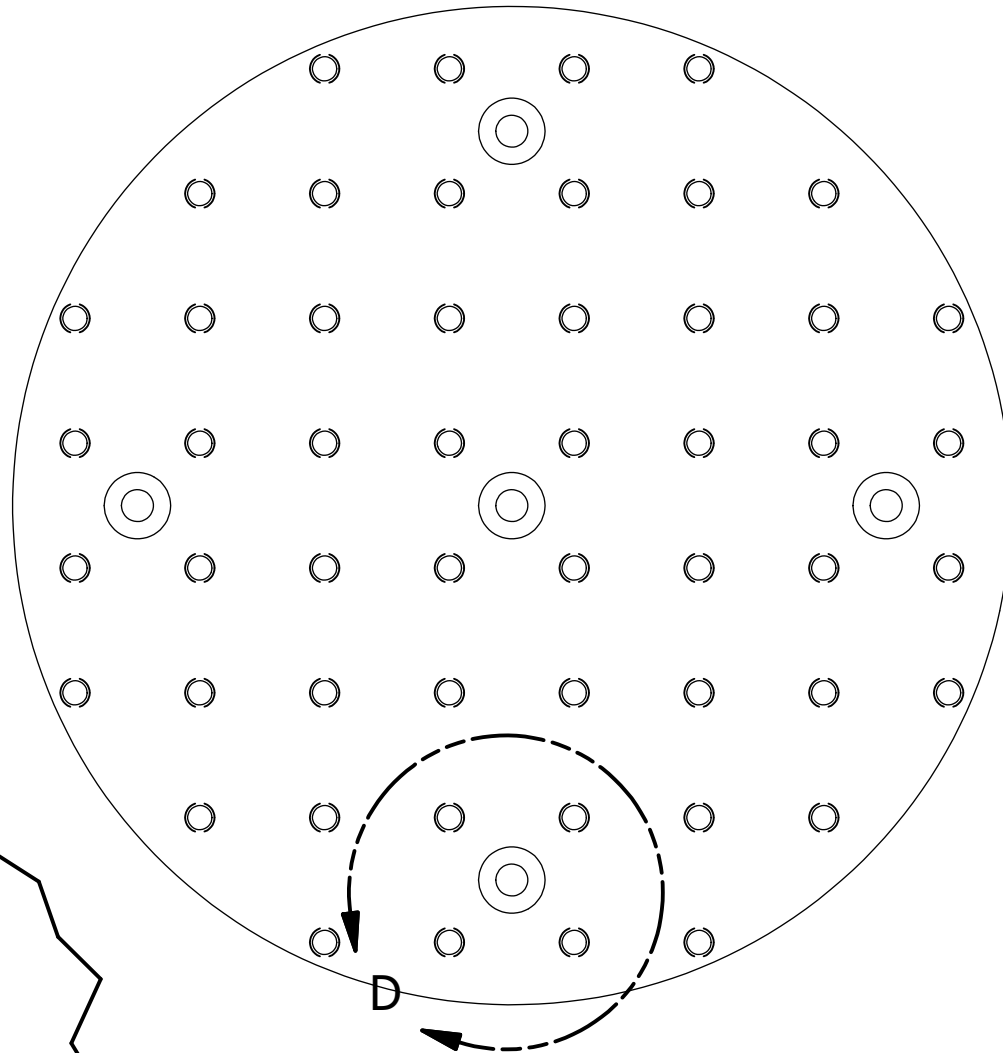
Automatic e-mail can be blocked by your browser or computer.  
Download & e-mail to: sales@minitecframing.com if necessary.

DRAWING APPROVED FOR PRODUCTION BY: \_\_\_\_\_ DATE \_\_\_\_\_ APPROVED  REVISE & RESUBMIT

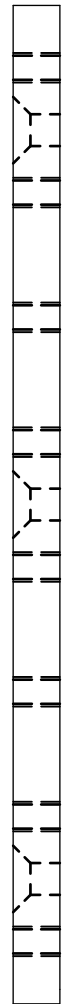
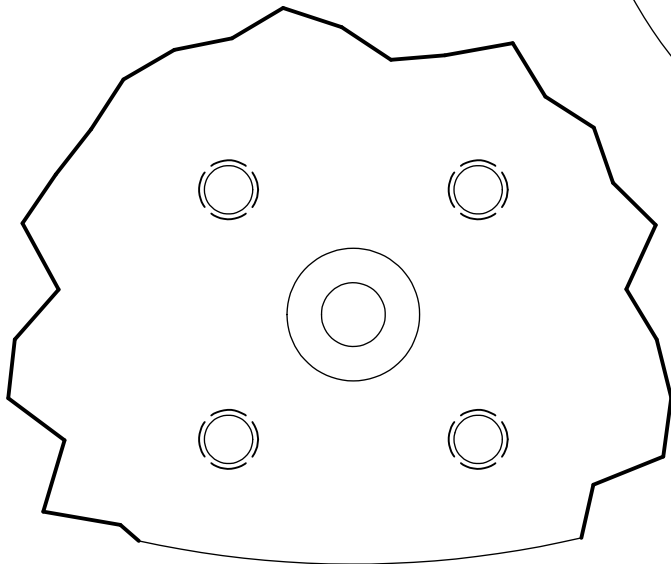
APPROVED WITH CHANGES  REJECTED

|                                                                                         |                                                 |                                                                                                                                                                                                               |     |
|-----------------------------------------------------------------------------------------|-------------------------------------------------|---------------------------------------------------------------------------------------------------------------------------------------------------------------------------------------------------------------|-----|
| PROJECT CIRCULAR BREADBOARD                                                             |                                                 |  WWW.MINITECFRAMING.COM<br>FARMINGTON, NY<br>DIRECT # (585) 433-8404<br>FX # (585) 924-4821<br>amoles@minitecframing.com |     |
| DRAWN BY ANDY MOLES                                                                     |                                                 |                                                                                                                                                                                                               |     |
| DATE 10/4/2019                                                                          |                                                 |                                                                                                                                                                                                               |     |
| DRAWN FOR<br>MINITEC'S<br>CUSTOMER                                                      | SALES ORDER #<br>CIRCULAR OPTICAL<br>BREADBOARD | DWG NO                                                                                                                                                                                                        | REV |
| TOLERANCES<br>UNLESS OTHERWISE NOTED<br>.X +/- .020"<br>.XX +/- .010"<br>.XXX +/- .005" |                                                 | MATERIAL                                                                                                                                                                                                      |     |
| FINISH                                                                                  |                                                 | SHEET 1 OF 2                                                                                                                                                                                                  |     |


# MARK UP PLATE BELOW WITH HOLES, CUT OUTS OR OTHER REQUIREMENTS



DETAIL D  
SCALE 1.30 : 1



PRE-MILL INSPECTION  
 PROFILE \_\_\_ MITER ANGLE \_\_\_  
 LENGTH \_\_\_ MITER DIR. \_\_\_

|                                                                                         |                                                 |                                                                                                                                                                                                               |     |
|-----------------------------------------------------------------------------------------|-------------------------------------------------|---------------------------------------------------------------------------------------------------------------------------------------------------------------------------------------------------------------|-----|
| PROJECT CIRCULAR OPTIOAL BREADBOARD PDF REQ                                             |                                                 |  WWW.MINITECFRAMING.COM<br>FARMINGTON, NY<br>DIRECT # (585) 433-8404<br>FX # (585) 924-4821<br>amoles@minitecframing.com |     |
| DRAWN BY ANDY MOLES                                                                     |                                                 |                                                                                                                                                                                                               |     |
| DATE 10/4/2019                                                                          |                                                 |                                                                                                                                                                                                               |     |
| DRAWN FOR<br>MINITEC'S<br>CUSTOMER                                                      | SALES ORDER #<br>CIRCULAR OPTICAL<br>BREADBOARD | DWG NO                                                                                                                                                                                                        | REV |
| TOLERANCES<br>UNLESS OTHERWISE NOTED<br>.X +/- .020"<br>.XX +/- .010"<br>.XXX +/- .005" |                                                 | MATERIAL                                                                                                                                                                                                      |     |
| FINISH                                                                                  |                                                 | SHEET 2 OF 2                                                                                                                                                                                                  |     |